

YDS-USB-0815 V0**1.2MP OnSemi AR0134 Anti-Fog Heater Fixed Focus USB 2.0 Camera Module**

YDS-USB-0815 V0 is a 1.2MP Fixed Focus USB camera module based on 1/3.0" AR0134 image sensor. This camera is specially designed for the refrigerator and the mobile vehicles, embedded with the anti-fog ceramic heater. The anti-fog heater keeps the lens from fogging in the sudden low/high temperature change.

It delivers high-speed, good resolution ultra sharp image. The compact size lens holder enables fitting in small mobile devices. This camera module is ideal solution for refrigerator, electric box, vehicles, and outdoor monitoring applications.

Key Features

- 1.2 MP resolution (1280x960) OnSemi AR0134 sensor
- High speed USB 2.0 Plug and Play
- MJPG and YUV2 output format
- Anti-Fog ceramic heater keeps lens clear from fogging
- Fish-eye lens for wide view applications
- UVC compliant to Windows, Linux, OS with UVC driver
- USB OTG (On-The-Go) support



YDS CAMERA MODULE

your best camera partner

YDS-USB-0815 V0

1.2MP OnSemi AR0134 Anti-Fog Heater Fixed Focus USB 2.0 Camera Module

Camera Module No.	YDS-USB-0815 V0
Resolution	1.2MP
Image Sensor	AR0134
Sensor Type	1/3"
Pixel Size	3.75 um x 3.75 um
Lens Construction	2G4P + IR Cut (650m)
F.NO	2.00
Pixel	1288 x 968
View Angle	205°(DFOV) 205°(HFOV) 205°(VFOV)
Lens Dimensions	40.60 x 40.60 x 21.60 mm
Module Type	Fixed Focus
Lens Model	Fish Eye Lens
Interface	USB 2.0
Output Format	MJPEG / YUV2
Auto Control	Saturation, Contrast, Acutance White Balance, Exposure
Audio (Optional)	Digital Microphone, Single, Dual Channel
USB Input Voltage	DC 5V
Working Current	Max 500mA
Overall Dimensions	62.98 x 40.60 x 19.70 mm
System Compatibility	Windows XP (SP2, SP3), Vista, 7, 8, 10, 11 Android, Mac OS, Linux or OS with UVC Driver Raspberry Pi by USB Port
Anti-Fog Ceramic Heater	Power Supply: DC 12V Max Current: 160mA Heating Time 15°C Increase in 45 seconds
Lens Type	650nm IR Cut
Operating Temperature	-30°C to +70°C
USB Cable	YDS-Cable-U0815

Wide Compatibility with Windows, Android, Mac OS, Linux, or Raspberry Pi



Windows®



Android



Mac OS



Linux



Raspberry Pi

www.YDSCAM.com sales@ydscam.com Phone (WeChat, QQ): (+86) 177 2732 6718

All rights reserved @ YingDeShun Co. Ltd. Specifications subject to change without notice.



YDS-USB-0815 V0

1.2MP OnSemi AR0134 Anti-Fog Heater Fixed Focus USB 2.0 Camera Module



Top View



Side View



Bottom View



Mating Connector

YDS-USB-0815 V0

1.2MP OnSemi AR0134 Anti-Fog Heater Fixed Focus USB 2.0 Camera Module

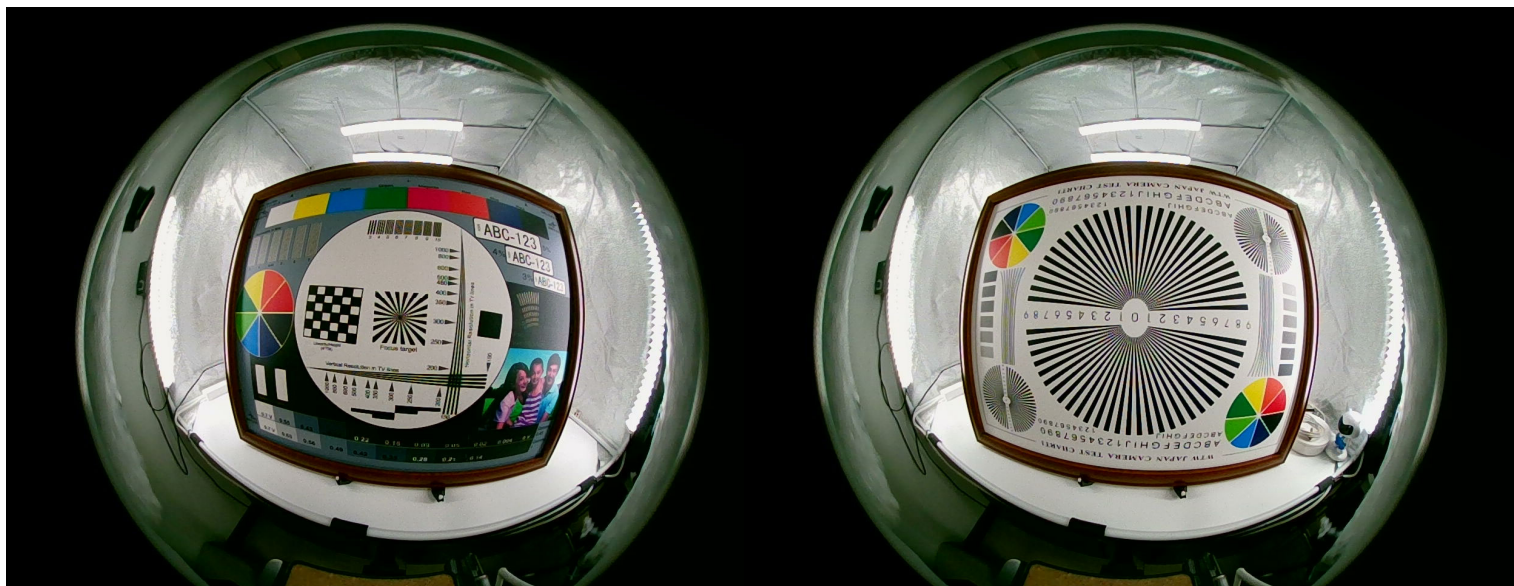
FORMAT	RESOLUTION	FRAME RATE
		USB 2.0
MJPG	640 x 480 (VGA)	25 FPS
	1280 x 720 (720P)	25 FPS
YUY2	640 x 480 (VGA)	25 FPS
	1280 x 720 (720P)	10 FPS





YDS CAMERA MODULE

your best camera partner



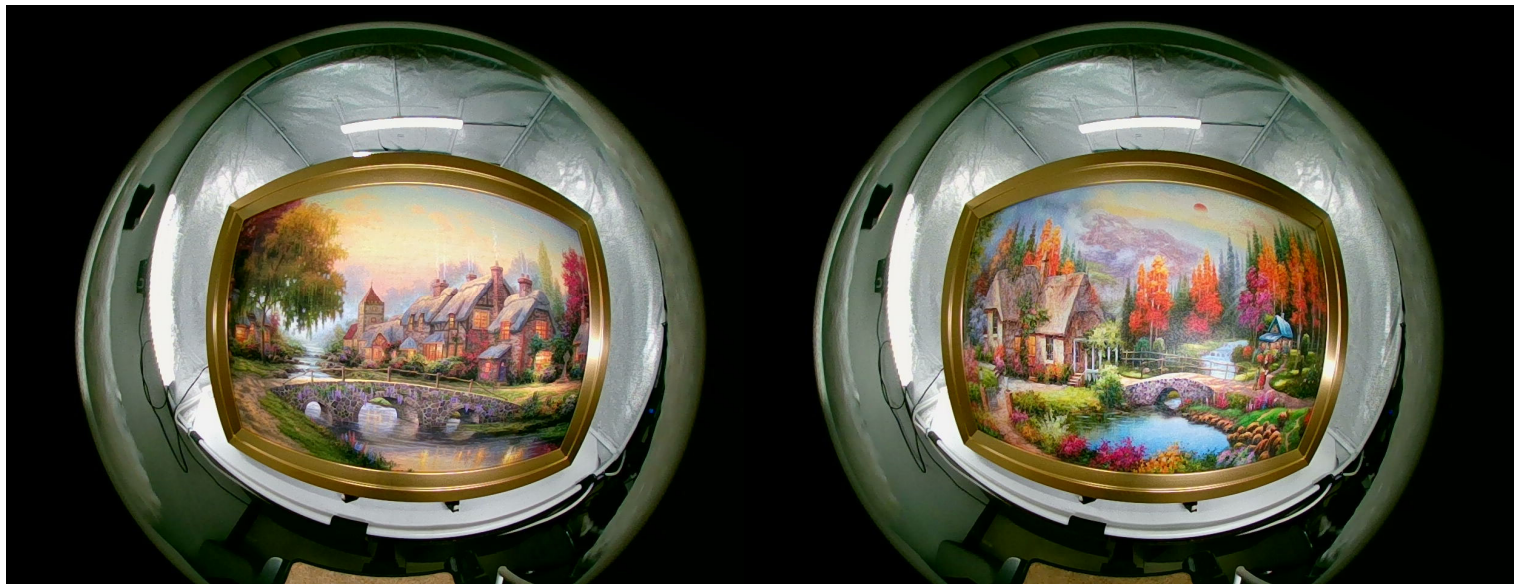
www.YDSCAM.com sales@ydscam.com Phone (WeChat, QQ): (+86) 177 2732 6718

All rights reserved @ YingDeShun Co. Ltd. Specifications subject to change without notice.



YDS CAMERA MODULE

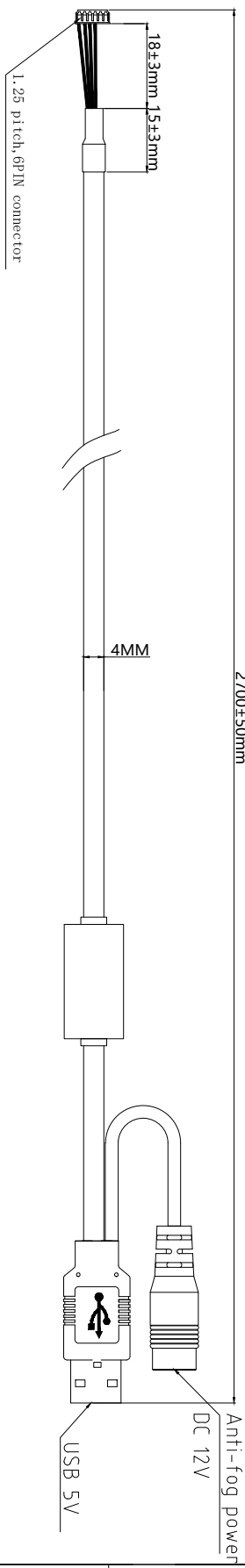
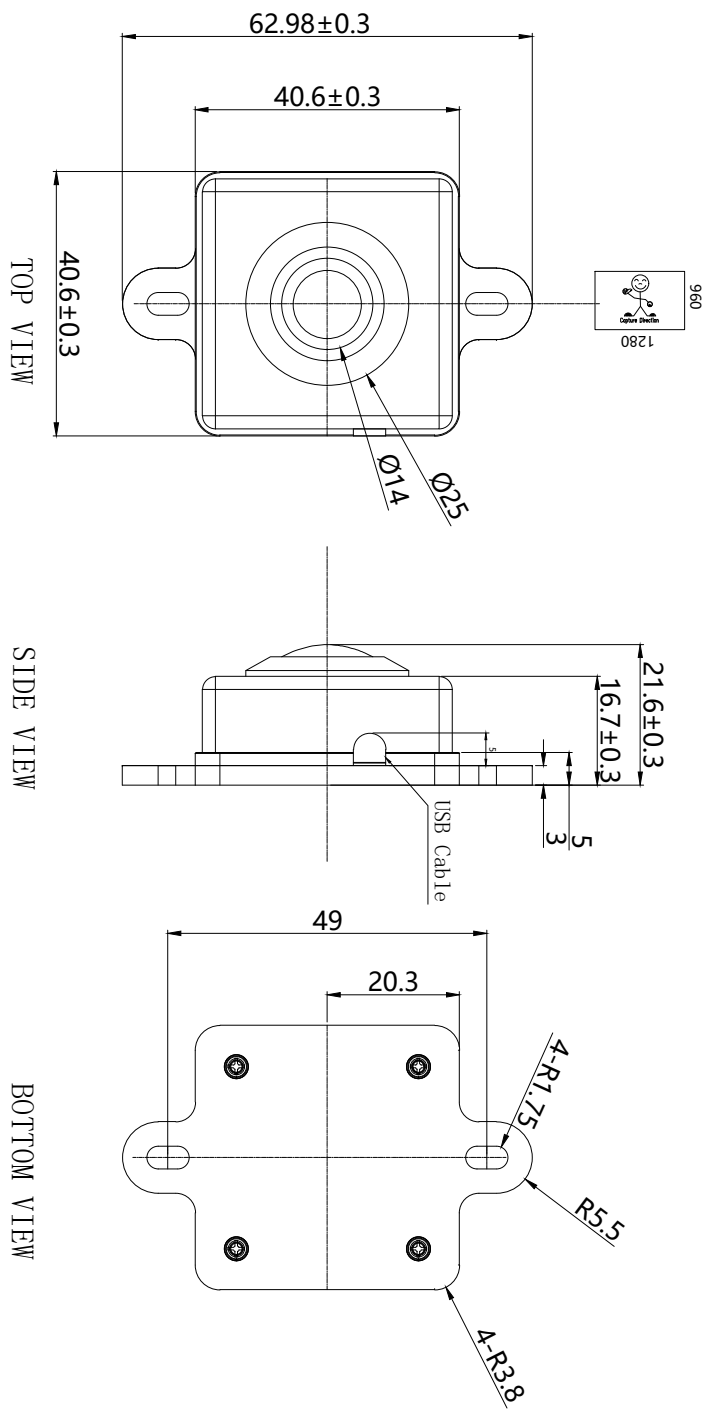
your best camera partner



www.YDSCAM.com sales@ydscam.com Phone (WeChat, QQ): (+86) 177 2732 6718

All rights reserved @ YingDeShun Co. Ltd. Specifications subject to change without notice.

Version	Information	Date
V1.0	First Version	7-4-2022



Parameter:

1、Sensor specification:

Image Sensor: AR0134
 Pixel: 3.75um×3.75um
 Lens Type: 1/3
 Important Voltage Description: USB 5V and Anti-fog power DC 12V;

2、Lens specification:

FOV: 205°(D);205°(H);205°(V)
 F/NO.: 2.0
 TV distortion: <-127%
 Focal length: 0.9mm
 Composition: 2G4P+IR FILTER
 IR Cut Coating: 650nm±10nm@50%

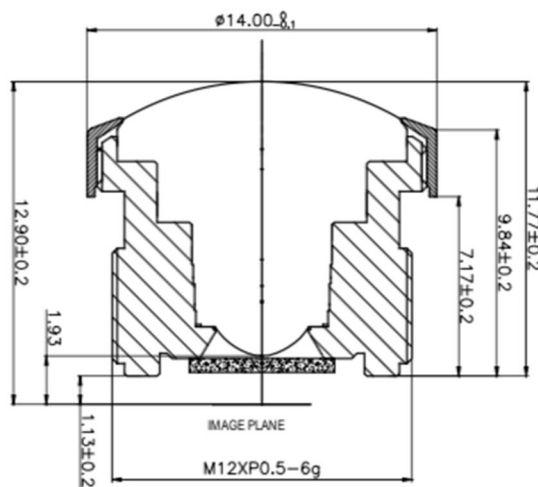
Designed By	Kevin	Model Name:	USB-0815 V0
Checked By	Aouly__Yan	Projection Type:	Third Angle
		Unit:	mm
		Scale:	1:1
		Material:	-----
		Sheet:	1 of 1
		Version:	1/0

1. SPECIFICATION:

1. MAX IMAGE HEIGHT
2. FOCAL LENGTH (EFL)
3. F/NO (INFINITE)
4. BACK FOCAL LENGTH
5. FLANGE BACK LENGTH
6. TOTAL TRACK LENGTH
7. OPTICAL DISTORTION (Horizontal)
8. RELATIVE ILLUMINATION
9. Thread Size
10. Optical Axis Shift
11. Lens Waterproof grade
12. Element
13. Storage Temperature
14. Working Temperature
15. Resolution TV Line
16. IR FILTER SPEC. (Built-in: Others available)

φ3.9
f = 0.9±0.05
F / NO = 2.0±5%
BFL = 1.93±0.10
FB = 1.13±0.20
TTL = 12.90±0.20
< -1.27.00%
> 4.5%
M12 * 0.5P - 6g
< 1°
IPX9K
2GAP+IR
-4.0° ~ +95°
-4.0° ~ +80°
≥ 600 @ 1 meter

Sensor	Field of view (Diagonal/Horizontal/Vertical)	CRA
PC1080D 648*488	D=200±5° H=190±3° V=149.2±3°	85°



Product Overview

AR0134CS: 1.2 MP 1/3" GS CMOS Image Sensor

For complete documentation, see the [data sheet](#).

ON Semiconductor's focus on pixel performance excellence provides the foundation for this sensor's exceptional image quality with superior performance. The sensor integrates ON Semiconductor's smallest, high performance global shutter technology for high speed image capture into a 1/3-inch optical format high definition (HD) device. The 3.75-micron global shutter pixel with exceptional low light performance can stop action without the artifacts typically associated with conventional rolling shutter pixels.

Features

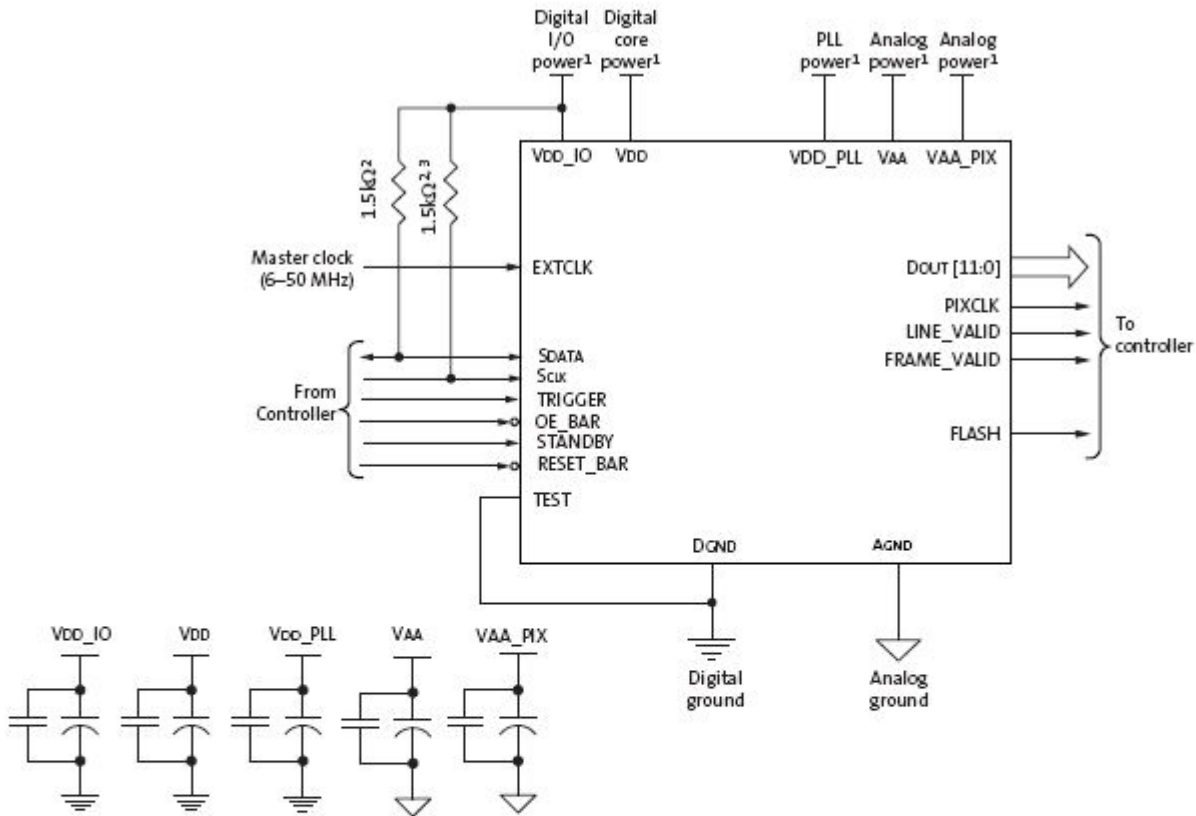
- ON Semiconductor's 3rd Generation Global Shutter Technology
- Superior low-light performance
- HD video (720p60)
- Video/Single Frame mode
- Flexible row-skip modes
- On-chip AE and statistics engine
- Parallel and serial output
- Support for external LED or flash
- Auto black level calibration
- Context switching

For more features, see the [data sheet](#)

Part Electrical Specifications

Product	Compliance	Status	Type	Megapixels	Frame Rate (fps)	Optical Format	Shutter Type	Pixel Size (µm)	Output Interface	Color	Package Type
AR0134CSSC00SPCA0-DPBR	Pb-free	Active	CMOS	1.2	54	1/3 inch	Global Shutter	3.75 x 3.75	Parallel	RGB	ILCC-48
	Halide free								HiSPi™		
AR0134CSSC00SPCA0-DRBR	Pb-free	Active	CMOS	1.2	54	1/3 inch	Global Shutter	3.75 x 3.75	HiSPi™	RGB	ILCC-48
	Halide free								Parallel		
AR0134CSSC00SPCA0-TPBR	Pb-free	Active	CMOS	1.2	54	1/3 inch	Global Shutter	3.75 x 3.75	HiSPi™	RGB	ILCC-48
	Halide free								Parallel		
AR0134CSSC00SPCA0-TRBR	Pb-free	Active	CMOS	1.2	54	1/3 inch	Global Shutter	3.75 x 3.75	Parallel	RGB	ILCC-48
	Halide free								HiSPi™		
AR0134CSSC00SUEA0-DPBR	Pb-free	Active	CMOS	1.2	54	1/3 inch	Global Shutter	3.75 x 3.75	HiSPi™	RGB	IBGA-63
	Halide free								Parallel		
AR0134CSSC00SUEA0-DPBR1	Pb-free	Active	CMOS	1.2	54	1/3 inch	Global Shutter	3.75 x 3.75	HiSPi™	RGB	IBGA-63
	Halide free								Parallel		
AR0134CSSC00SUEA0-DRBR	Pb-free	Active	CMOS	1.2	54	1/3 inch	Global Shutter	3.75 x 3.75	HiSPi™	RGB	IBGA-63
	Halide free								Parallel		
AR0134CSSC00SUEA0-TPBR	Pb-free	Active	CMOS	1.2	54	1/3 inch	Global Shutter	3.75 x 3.75	Parallel	RGB	IBGA-63
	Halide free								HiSPi™		
AR0134CSSC00SUEA0-TRBR	Pb-free	Active	CMOS	1.2	54	1/3 inch	Global Shutter	3.75 x 3.75	Parallel	RGB	IBGA-63
	Halide free								HiSPi™		
AR0134CSSM00SPCA0-DPBR	Pb-free	Active	CMOS	1.2	54	1/3 inch	Global Shutter	3.75 x 3.75	Parallel	Mono	ILCC-48
	Halide free								HiSPi™		
AR0134CSSM00SPCA0-DPBR1	Pb-free	Active	CMOS	1.2	54	1/3 inch	Global Rolling	3.75 x 3.75	Parallel	Mono	ILCC-48
	Halide free								HiSPi™		
AR0134CSSM00SPCA0-DRBR	Pb-free	Active	CMOS	1.2	54	1/3 inch	Global Shutter	3.75 x 3.75	HiSPi™	Mono	ILCC-48
	Halide free								Parallel		
AR0134CSSM00SPCA0-TPBR	Pb-free	Active	CMOS	1.2	54	1/3 inch	Global Shutter	3.75 x 3.75	HiSPi™	Mono	ILCC-48
	Halide free								Parallel		
AR0134CSSM00SPCA0-TRBR	Pb-free	Active	CMOS	1.2	54	1/3 inch	Global Shutter	3.75 x 3.75	Parallel	Mono	ILCC-48
	Halide free								HiSPi™		
AR0134CSSM00SUEA0-DPBR	Pb-free	Active	CMOS	1.2	54	1/3 inch	Global Shutter	3.75 x 3.75	Parallel	Mono	IBGA-63
	Halide free								HiSPi™		
AR0134CSSM00SUEA0-DPBR1	Pb-free	Active	CMOS	1.2	54	1/3 inch	Global Rolling	3.75 x 3.75	HiSPi™	Mono	IBGA-63
	Halide free								Parallel		
AR0134CSSM00SUEA0-DRBR	Pb-free	Active	CMOS	1.2	54	1/3 inch	Global Shutter	3.75 x 3.75	HiSPi™	Mono	IBGA-63
	Halide free								Parallel		
AR0134CSSM00SUEA0-TPBR	Pb-free	Active	CMOS	1.2	54	1/3 inch	Global Shutter	3.75 x 3.75	HiSPi™	Mono	IBGA-63
	Halide free								Parallel		
AR0134CSSM00SUEA0-TRBR	Pb-free	Active	CMOS	1.2	54	1/3 inch	Global Shutter	3.75 x 3.75	HiSPi™	Mono	IBGA-63
	Halide free								Parallel		
AR0134CSSM25SPCA0-TPBR	Pb-free	Active	CMOS	1.2	54	1/3 inch	Global Shutter	3.75 x 3.75	HiSPi™	Mono	ILCC-48
	Halide free								Parallel		
AR0134CSSM25SUEA0-DPBR	Pb-free	Active	CMOS	1.2	54	1/3 inch	Global Shutter	3.75 x 3.75	HiSPi™	Mono	IBGA-63
	Halide free								Parallel		
AR0134CSSM25SUEA0-DRBR	Pb-free	Active	CMOS	1.2	54	1/3 inch	Global Shutter	3.75 x 3.75	Parallel	Mono	IBGA-63
	Halide free								HiSPi™		
AR0134CSSM25SUEA0-TPBR	Pb-free	Active	CMOS	1.2	54	1/3 inch	Global Shutter	3.75 x 3.75	HiSPi™	Mono	IBGA-63
	Halide free								Parallel		
AR0134CSSM25SUEA0-TRBR	Pb-free	Active	CMOS	1.2	54	1/3 inch	Global Shutter	3.75 x 3.75	HiSPi™	Mono	IBGA-63
	Halide free								Parallel		

Application Diagram



- Notes:
1. All power supplies must be adequately decoupled.
 2. ON Semiconductor recommends a resistor value of 1.5kΩ, but it may be greater for slower two-wire speed.
 3. This pull-up resistor is not required if the controller drives a valid logic level on SCLK at all times.
 4. The serial interface output pads can be left unconnected if the parallel output interface is used.
 5. ON Semiconductor recommends that 0.1μF and 10μF decoupling capacitors for each power supply are mounted as close as possible to the pad. Actual values and results may vary depending on layout and design considerations. Refer to the AR0134 demo headboard schematics for circuit recommendations.
 6. ON Semiconductor recommends that analog power planes be placed in a manner such that coupling with the digital power planes is minimized.

For more information please contact your local sales support at www.onsemi.com.

Created on: 9/30/2017



YDS CAMERA MODULE

your best camera partner

Camera Module Pinout Definition Reference Chart

OmniVision	Sony	Samsung	On-Semi	Aptina	Himax	GalaxyCore	PixArt	SmartSens	Sensors
Pin Signal		Description							
DGND	GND	ground for digital circuit							
AGND		ground for analog circuit							
PCLK	DCK	DVP PCLK output							
XCLR	PWDN	XSHUTDOWN	STANDBY	power down active high with internal pull-down resistor					
MCLK	XVCLK	XCLK	INCK	system input clock					
RESET	RST	reset active low with internal pull-up resistor							
NC	NULL	no connect							
SDA	SIO_D	SIOD	SCCB data						
SCL	SIO_C	SIOC	SCCB input clock						
VSYNC	XVS	FSYNC	DVP VSYNC output						
HREF	XHS	DVP HREF output							
DOVDD	power for I/O circuit								
AFVDD	power for VCM circuit								
AVDD	power for analog circuit								
DVDD	power for digital circuit								
STROBE	FSTROBE	strobe output							
FSIN	synchronize the VSYNC signal from the other sensor								
SID	SCCB last bit ID input								
ILPWM	mechanical shutter output indicator								
FREX	frame exposure / mechanical shutter								
GPIO	general purpose inputs								
SLASEL	I2C slave address select								
AFEN	CEN chip enable active high on VCM driver IC								
MIPI Interface									
MDN0	DN0	MD0N	DATA_N	DMO1N	MIPI 1st data lane negative output				
MDP0	DP0	MD0P	DATA_P	DMO1P	MIPI 1st data lane positive output				
MDN1	DN1	MD1N	DATA2_N	DMO2N	MIPI 2nd data lane negative output				
MDP1	DP1	MD1P	DATA2_P	DMO2P	MIPI 2nd data lane positive output				
MDN2	DN2	MD2N	DATA3_N	DMO3N	MIPI 3rd data lane negative output				
MDP2	DP2	MD2P	DATA3_P	DMO3P	MIPI 3rd data lane positive output				
MDN3	DN3	MD3N	DATA4_N	DMO4N	MIPI 4th data lane negative output				
MDP3	DP3	MD3P	DATA4_P	DMO4P	MIPI 4th data lane positive output				
MCN	CLKN	CLK_N	DCKN	MIPI clock negative output					
MCP	CLKP	CLK_P	DCKN	MIPI clock positive output					
DVP Parallel Interface									
D0	DO0	Y0	DVP data output port 0						
D1	DO1	Y1	DVP data output port 1						
D2	DO2	Y2	DVP data output port 2						
D3	DO3	Y3	DVP data output port 3						
D4	DO4	Y4	DVP data output port 4						
D5	DO5	Y5	DVP data output port 5						
D6	DO6	Y6	DVP data output port 6						
D7	DO7	Y7	DVP data output port 7						
D8	DO8	Y8	DVP data output port 8						
D9	DO9	Y9	DVP data output port 9						
D10	DO10	Y10	DVP data output port 10						
D11	DO11	Y11	DVP data output port 11						

www.YDSCAM.com sales@ydscam.com Phone (WeChat, QQ): (+86) 177 2732 6718

All rights reserved @ YingDeShun Co. Ltd. Specifications subject to change without notice.

Cameras Applications



IMAGING DEVICES



Camera Reliability Test

Reliability Inspection Item		Testing Method	Acceptance Criteria	
Category	Item			
Environmental	Storage Temperature	High 60°C 96 Hours	Temperature Chamber	No Abnormal Situation
		Low -20°C 96 Hours	Temperature Chamber	No Abnormal Situation
	Operation Temperature	High 60°C 24 Hours	Temperature Chamber	No Abnormal Situation
		Low -20°C 24 Hours	Temperature Chamber	No Abnormal Situation
	Humidity	60°C 80% 24 Hours	Temperature Chamber	No Abnormal Situation
	Thermal Shock	High 60°C 0.5 Hours Low -20°C 0.5 Hours Cycling in 24 Hours	Temperature Chamber	No Abnormal Situation
Physical	Drop Test (Free Falling)	Without Package 60cm	10 Times on Wood Floor	Electrically Functional
		With Package 60cm	10 Times on Wood Floor	Electrically Functional
	Vibration Test	50Hz X-Axis 2mm 30min	Vibration Table	Electrically Functional
		50Hz Y-Axis 2mm 30min	Vibration Table	Electrically Functional
		50Hz Z-Axis 2mm 30min	Vibration Table	Electrically Functional
	Cable Tensile Strength Test	Loading Weight 4 kg 60 Seconds Cycling in 24 Hours	Tensile Testing Machine	Electrically Functional
Electrical	ESD Test	Contact Discharge 2 KV	ESD Testing Machine	Electrically Functional
		Air Discharge 4 KV	ESD Testing Machine	Electrically Functional
	Aging Test	On/Off 30 Seconds Cycling in 24 Hours	Power Switch	Electrically Functional
	USB Connector	On/Off 250 Times	Plug and Unplug	Electrically Functional



Camera Inspection Standard

Inspection Item		Inspection Method	Standard of Inspection		
Category	Item				
Appearance	FPC/ PCB	Color	The Naked Eye	Major Difference is Not Allowed.	
		Be Torn/Chopped	The Naked Eye	Copper Crack Exposure is Not Allowed.	
		Marking	The Naked Eye	Clear, Recognizable (Within 30cm Distance)	
	Holder	Scratches	The Naked Eye	The Inside Crack Exposure is Not Allowed	
		Gap	The Naked Eye	Meet the Height Standard	
		Screw	The Naked Eye	Make Sure Screws Are Presented (If Any)	
		Damage	The Naked Eye	The Inside Crack Exposure is Not Allowed	
	Lens	Scratch	The Naked Eye	No Effect On Resolution Standard	
		Contamination	The Naked Eye	No Effect On Resolution Standard	
		Oil Film	The Naked Eye	No Effect On Resolution Standard	
		Cover Tape	The Naked Eye	No Issue On Appearance.	
	Function	Image	No Communication	Test Board	Not Allowed
			Bright Pixel	Black Board	Not Allowed In the Image Center
Dark Pixel			White board	Not Allowed In the Image Center	
Blurry			The Naked Eye	Not Allowed	
No Image			The Naked Eye	Not Allowed	
Vertical Line			The Naked Eye	Not Allowed	
Horizontal Line			The Naked Eye	Not Allowed	
Light Leakage			The Naked Eye	Not Allowed	
Blinking Image			The Naked Eye	Not Allowed	
Bruise			Inspection Jig	Not Allowed	
Resolution			Chart	Follows Outgoing Inspection Chart Standard	
Color			The Naked Eye	No Issue	
Noise			The Naked Eye	Not Allowed	
Corner Dark			The Naked Eye	Less Than 100px By 100px	
Color Resolution			The Naked Eye	No Issue	
Dimension	Height	The Naked Eye	Follows Approval Data Sheet		
	Width	The Naked Eye	Follows Approval Data Sheet		
	Length	The Naked Eye	Follows Approval Data Sheet		
	Overall	The Naked Eye	Follows Approval Data Sheet		

YDSCAM Package Solutions

YDS Camera Module



Complete with Lens Protection Film



Tray with Grid and Space

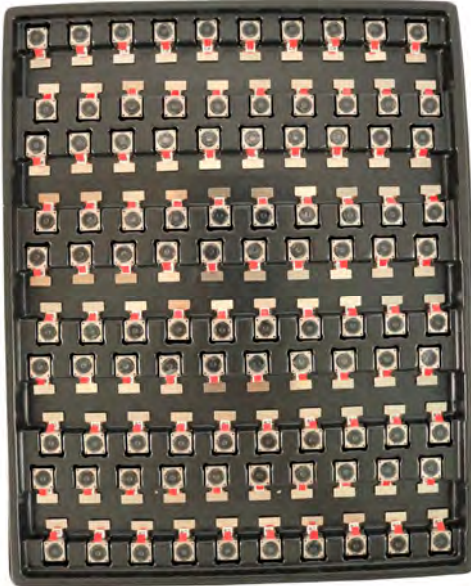


Place Cameras on the Tray

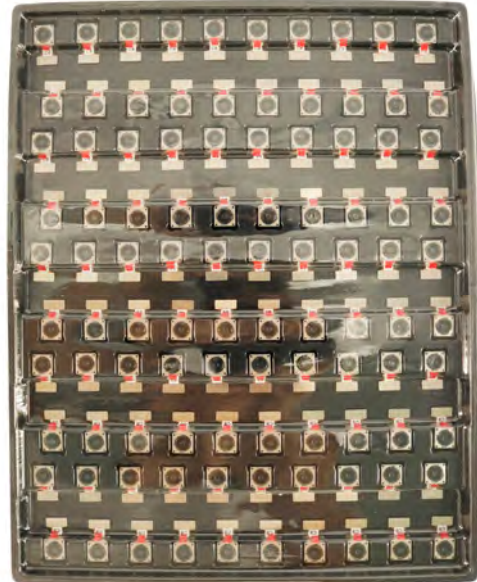


YDSCAM Package Solutions

Full Tray of Cameras



Cover Tray with Lid



Place Tray into Anti-Static Bag



Vacuum the Anti-Static Bag



YDSCAM Package Solutions

Sealed Vacuum Anti-Static Bag with Labels

1. Model and Description 2. Quantity 3. Manufacturing Date Code 4. Caution



YDSCAM Package Solutions

Place Foam Sheets Between Tray Bags



Foam Sheets are Larger Than Trays



Place Foam Sheets and Trays into Box



Foam Sheets are Tightly Fitting in Box



Seal the Carbon Box



Label the Carbon Shipping Box

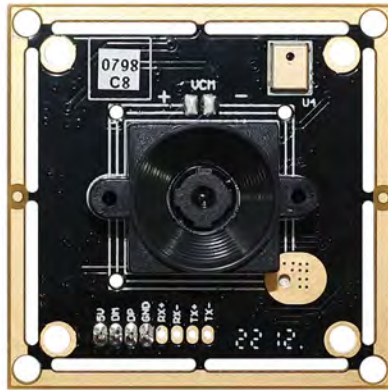




YDSCAM Package Solutions

USB Camera Module

Complete with Lens Protection Film



Place Camera Sample into Anti-Static Bag

Place USB Cameras into Tray



Seal the Tray with Anti-Static Bag

Label the Carbon Shipping Box



YDSCAM Package Solutions

Place Camera Sample into Anti-Static Bag



Place Connectors into Anti-Static Bag



Label the Sample Bags



Place Connectors into Reel



Place Samples into the Carbon Box



Place Connectors into the Carbon Box





YDS CAMERA MODULE

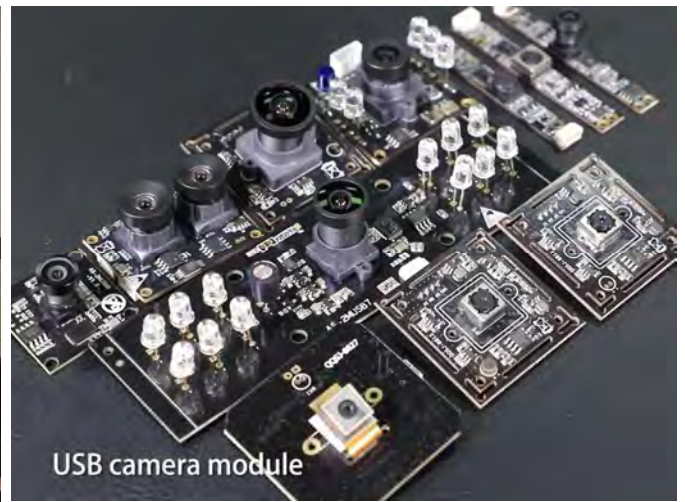
your best camera partner

Company YDSCAM

YingDeShun Co. Ltd. (YDS) was established in 2017, a next-generation technology driven manufacturer specialized in research, design, and produce of audio and video products. YDS is occupying 20,000 square feet automated plants with 100 employees of annual throughput 30,000,000 units cameras.

YDS provides OEM, ODM design, contract manufacturing, and builds the camera products. You may provide the requirements to us, even with a hand draft, our sales and engineering work together to meet your needs. We consider ourselves your last-term partner in developing practical and innovative solutions.

Our team covers everything from initial concept development to mass produced product. YDS specializes in customized camera design, raw material, electronic engineering, firmware/software development, product testing, and packing design. Our experienced strategic supply systems offer a robust and dependable manufacturing capacity for orders of various sizes.



Limited Warranty

YDS provides the following limited warranty if you purchased the Product(s) directly from YDS company or from YDS's website www.YDSCAM.com. Product(s) purchased from other sellers or sources are not covered by this Limited Warranty. YDS guarantees that the Product(s) will be free from defects in materials and workmanship under normal use for a period of one (1) year from the date you receive the product ("Warranty Period").

For all Product(s) that contain or develop material defects in materials or workmanship during the Warranty Period, YDS will, at its sole option, either: (i) repair the Product(s); (ii) replace the Product(s) with a new or refurbished Product(s) (replacement Product(s) being of identical model or functional equivalent); or (iii) provide you a refund of the price you paid for the Product(s).

This Limited Warranty of YDS is solely limited to repair and/or replacement on the terms set forth above. YDS is not reliable or responsible for any subsequent events.



www.YDSCAM.com sales@ydscom.com Phone (WeChat, QQ): (+86) 177 2732 6718

All rights reserved @ YingDeShun Co. Ltd. Specifications subject to change without notice.



YDS CAMERA MODULE

your best camera partner

YDS Strength

Powerful Factory



Professional Service



Promised Delivery



www.YDSCAM.com sales@ydscam.com Phone (WeChat, QQ): (+86) 177 2732 6718

All rights reserved @ YingDeShun Co. Ltd. Specifications subject to change without notice.